

TAB004KL-B

Package Contents:

TAB004KL-B – Universal Locking Adjustable Aluminum Metal Tablet Holder with Key Lock and Keys

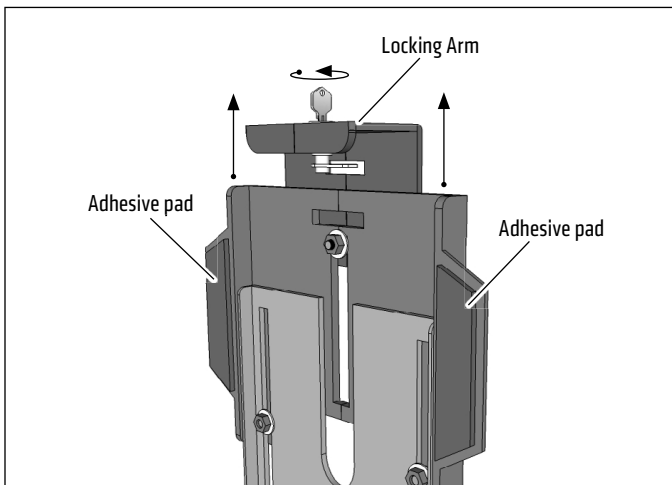
Adhesive pads included to keep tablet secure in holder.

Device Compatibility: Fits 7"-10" screen size tablets

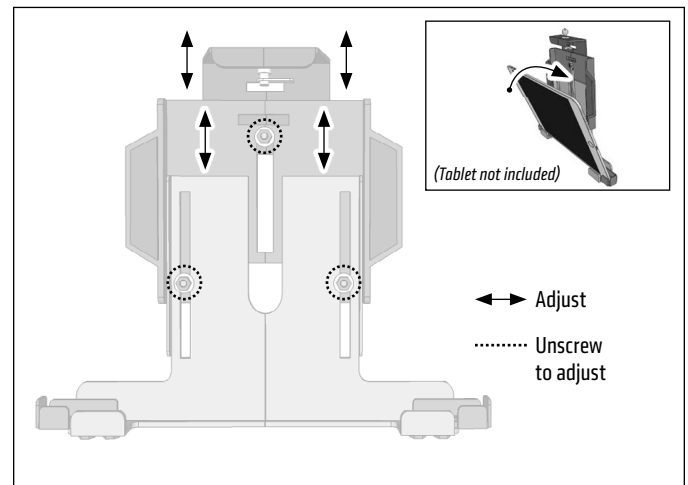
Mounting pedestals sold separately.

Tools Needed: 7mm and 10mm socket wrenches

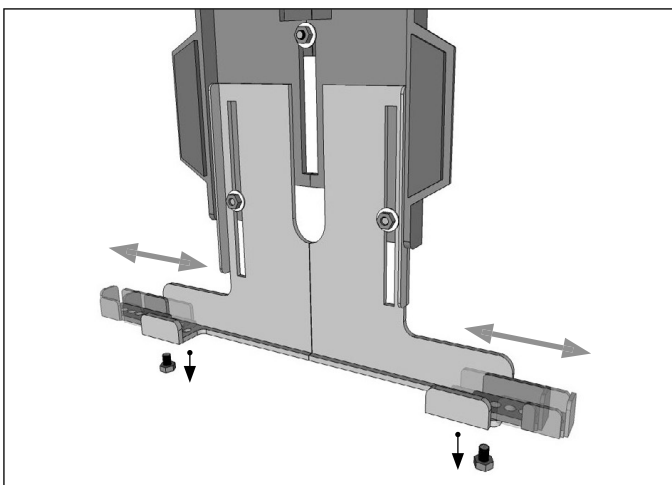
- 1 To size the tablet holder to your tablet, begin by unlocking the top of the tablet holder with the key and push up on the locking arm. Use included adhesive pads to secure tablet in holder.



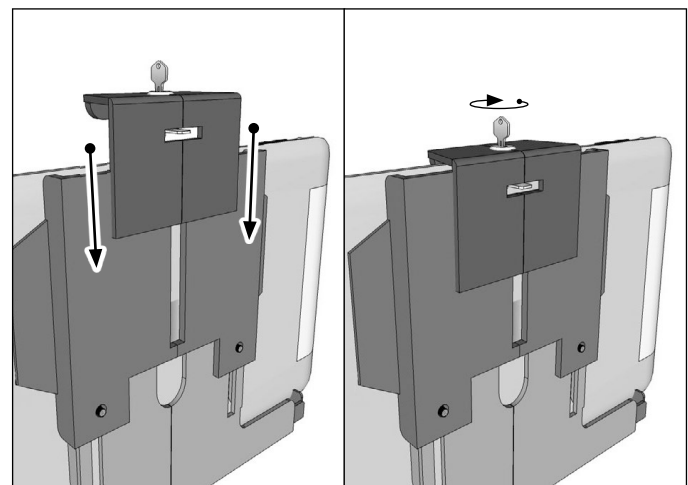
- 2 Unscrew the three screws/washers at the back/center of the holder to adjust the tablet holder's height to the tablet (not included). Retighten the screws/washers to secure.



- 3 Unscrew the screws at the bottom sides of the holder to adjust the tablet holder's width to the tablet. Tighten to secure.



- 4 To lock down tablet, close down on the locking arm on the top of the tablet and lock with key (included).



ARKON
RESOURCES INC.

The Mobile Mounting Specialists™

Consumer Hotline:

USA (800) 841-0884

INT'L (626) 254-9005

Monday - Friday 9 am - 5 pm, PST

www.arkon.com

Arcadia, CA 91006 USA

Designed in USA | Made in Taiwan

© Copyright 2016 Arkon Resources, Inc.